

PART NUMBER FOR CAGE:
CN174C-X001-0X

| |
|------------------------|
| Series Name |
| C = Cage |
| 1 = 1x1 Port |
| 2 = 1x2 Port |
| 3 = 1x3 Port |
| 4 = 1x4 Port |
| 6 = 1x6 Port |
| 1 = 1x2, 1x3, 1x6 Port |
| 2 = 1x4 Port |
| 3 = 1x1 Port |

QSFP-DD MSA COMPLIANT

MATERIALS AND FINISH:

- EMI fingers: Stainless Steel
- Cage: Stainless Steel
- Partition: Stainless Steel

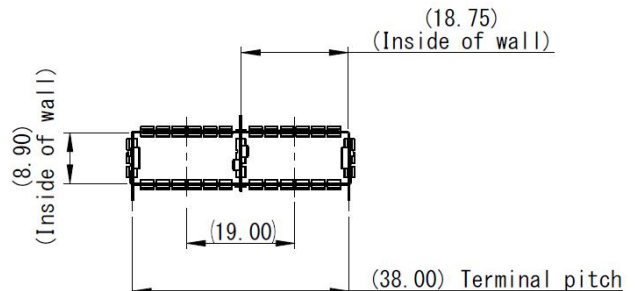
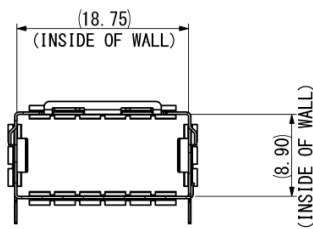
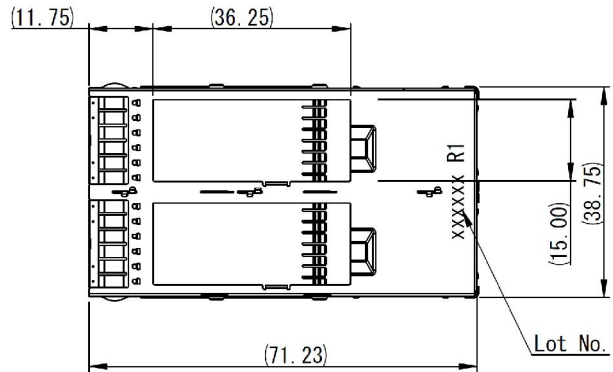
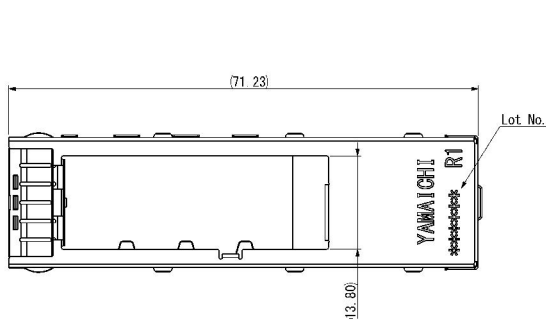
SPECIFICATIONS:

- Operating Temp.: +65°C MAX
- Insertion Force: 90 N MAX
- Extraction Force: 50 N MAX

FEATURES:

- QSFP-DD MSA Design Guideline Compliant
- Supports Belly-to-Belly Mount
- Offers multiple port configurations
- RoHS and REACH Compliant

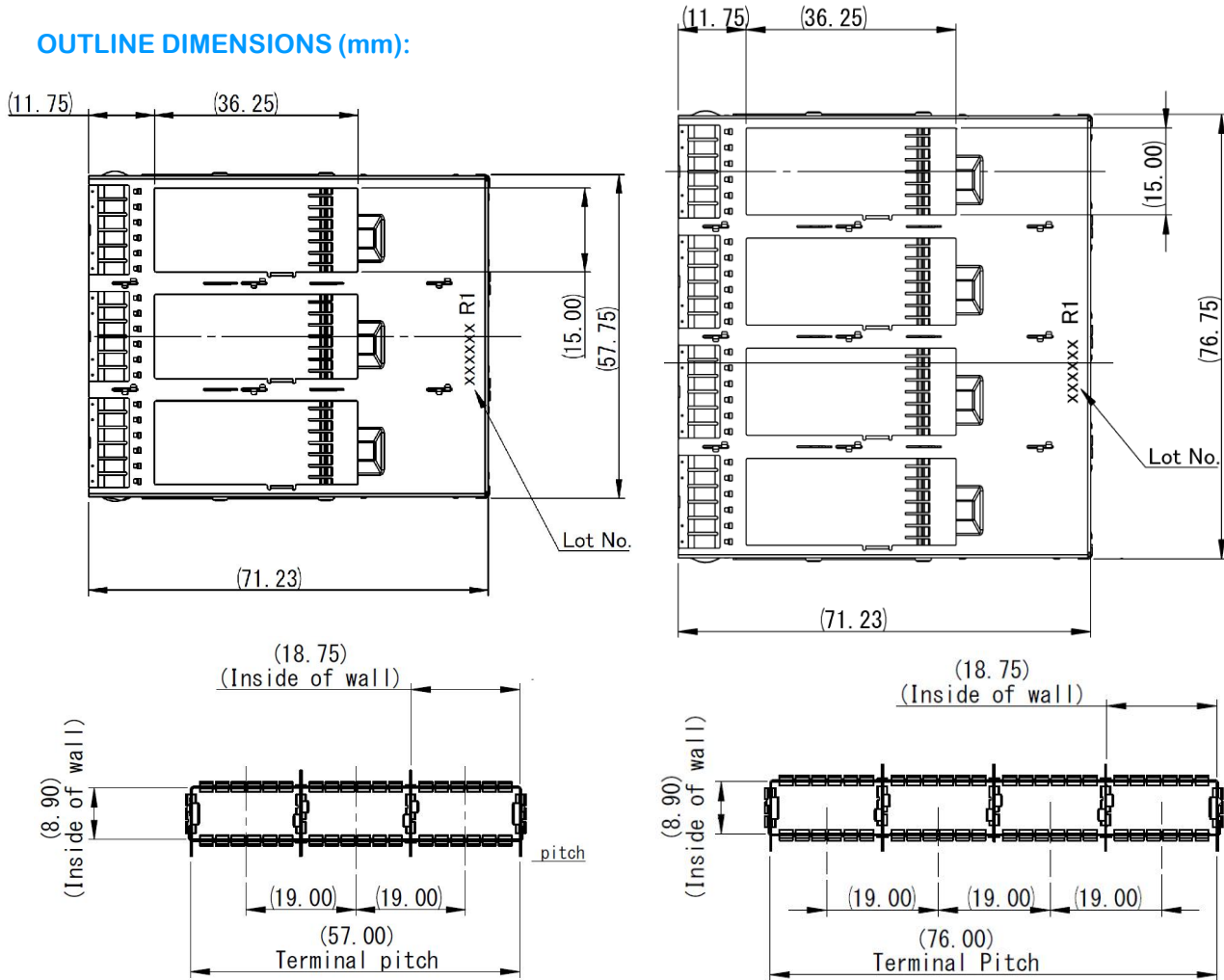
OUTLINE DIMENSIONS (mm):



CN174C-1001-03

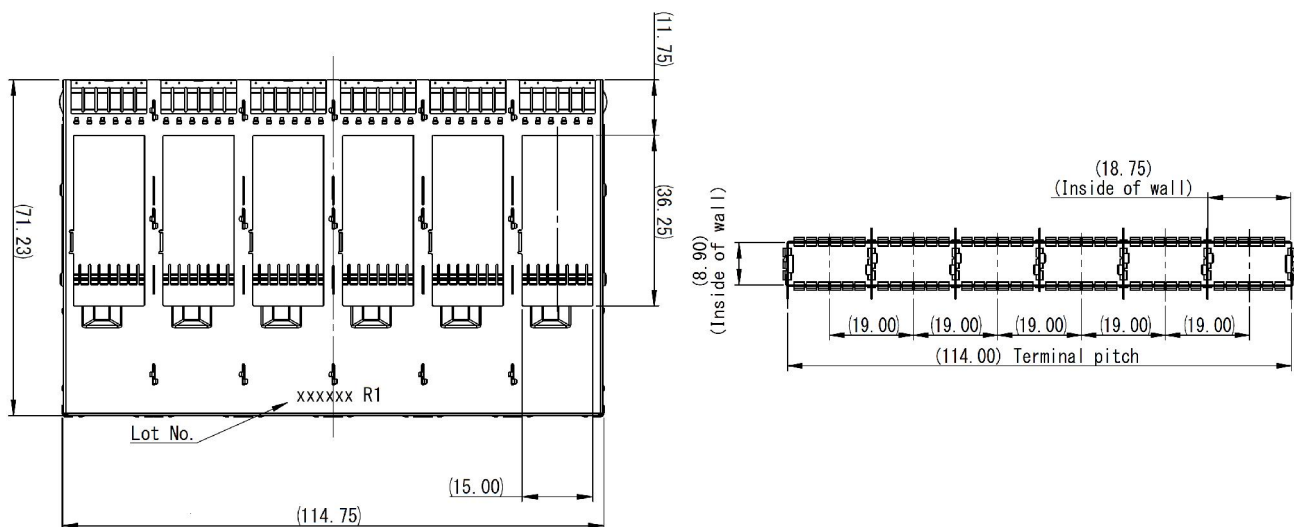
CN174C-2001-01

OUTLINE DIMENSIONS (mm):

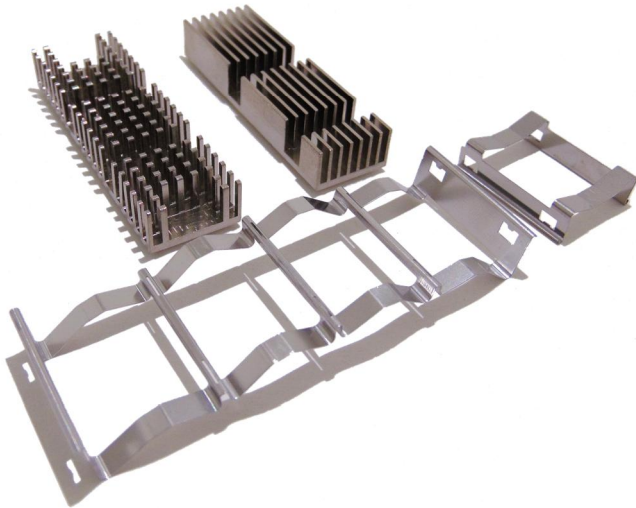


CN174C-3001-01

CN174C-4001-02



CN174C-6001-01



PART NUMBER FOR HEAT SINKS & CLIPS:
CN174X-076-000X

Series Name

F = Heat Sink
M = Clip

For Heat Sinks:

6 = Front-Back Fin for 1xN Cage
7 = Front-Back Fin for 1x1 Cage
9 = Grid Pin Fin for 1x1 Cage

For Clip:

5 = 1x3 Cage Heat Sink Clip
6 = 1x4 Cage Heat Sink Clip
7 = 1x1 Cage Heat Sink Clip
8 = 1x6 Cage Heat Sink Clip
9 = 1x2 Cage Heat Sink Clip

MATERIALS AND FINISH:

- Clip: Stainless Steel
- Heat Sink: Aluminum with Anodize finish

QSFP-DD MSA COMPLIANT

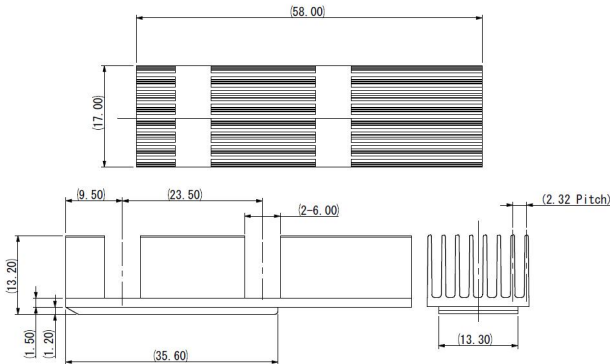
SPECIFICATIONS:

- Operating Temp.: +65°C MAX
- Insertion Force: 90 N MAX
- Extraction Force: 50 N MAX

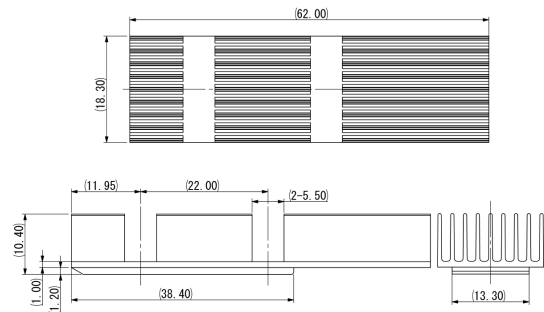
FEATURES:

- QSFP-DD MSA Design Guideline Compliant
- Offers Side-to-Side and Front-to-Back configurations
- Customization on Heat Sink design available
- RoHS and REACH Compliant

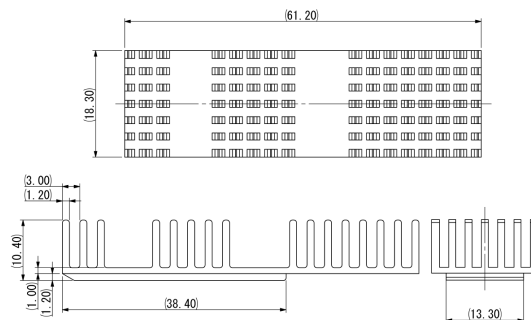
OUTLINE DIMENSIONS (mm):



CN174F-076-0006

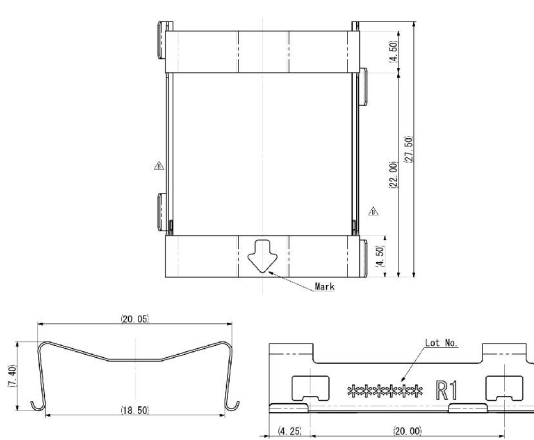


CN174F-076-0007

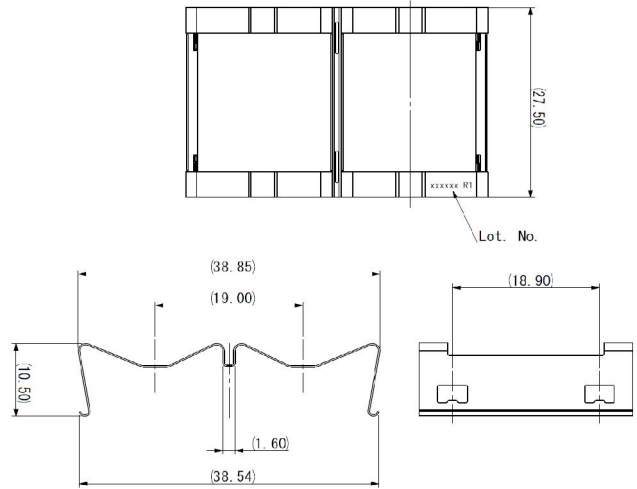


CN174F-076-0009

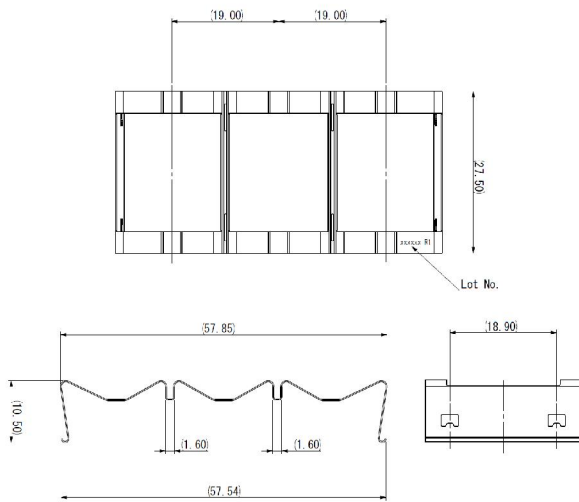
OUTLINE DIMENSIONS (mm):



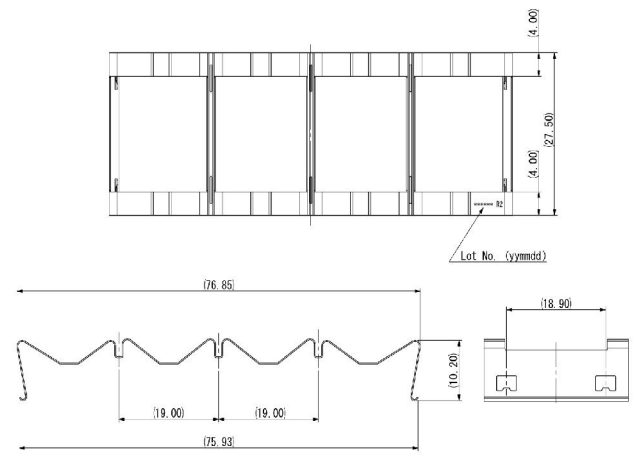
CN174F-076-0007



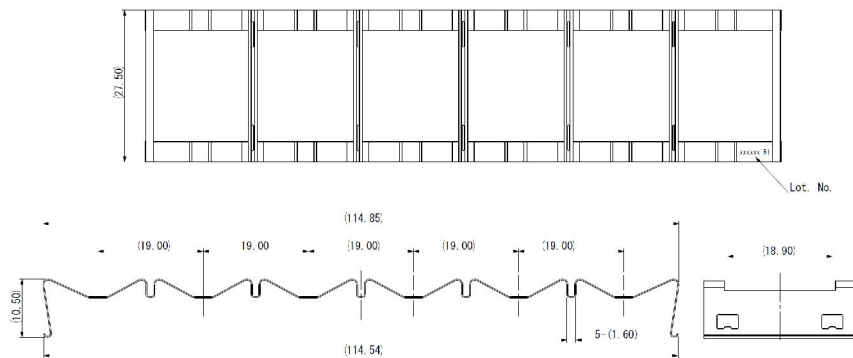
CN174F-076-0009



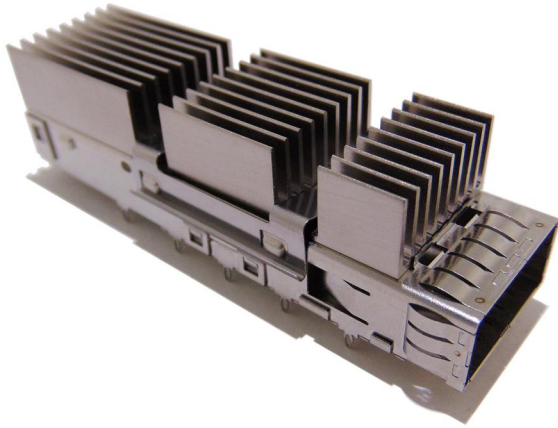
CN174F-076-0005



CN174F-076-0006



CN174F-076-0008



PART NUMBER FOR HOST MECHANICAL ASSEMBLY:

CN174A-076-000X

Series Name

A = Cage Assembly

MECH. ASSEMBLY CONFIG.:

4 = 1x1 Port with Front-Back Fin HS

5 = 1x1 Port with Pin Fin HS

QSFP-DD MSA COMPLIANT

MATERIALS AND FINISH:

- Cage: Stainless Steel
- Clip: Stainless Steel
- Heat Sink: Aluminum with Anodize finish

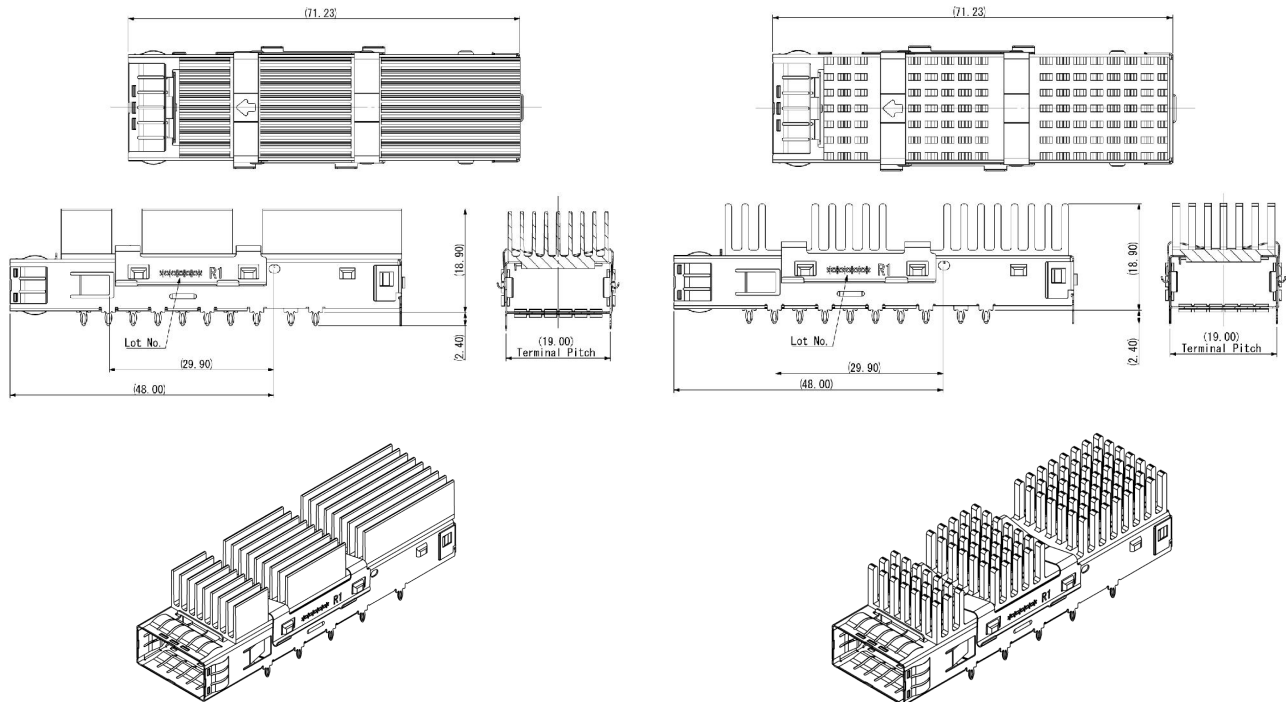
SPECIFICATIONS:

- Operating Temp.: +65°C MAX
- Insertion Force: 90 N MAX
- Extraction Force: 50 N MAX

FEATURES:

- QSFP-DD MSA Design Guideline Compliant
- Each mechanical assembly contains:
 - Host Cage
 - Heat Sinks
 - Clips
- Offer Front-Back and Pin Fin Heat Sink configurations
- Product packages in assembled fashion
- RoHS and REACH Compliant

OUTLINE DIMENSIONS (mm):



CN174A-076-0004 (LEFT) & CN121A-076-0005 (RIGHT)